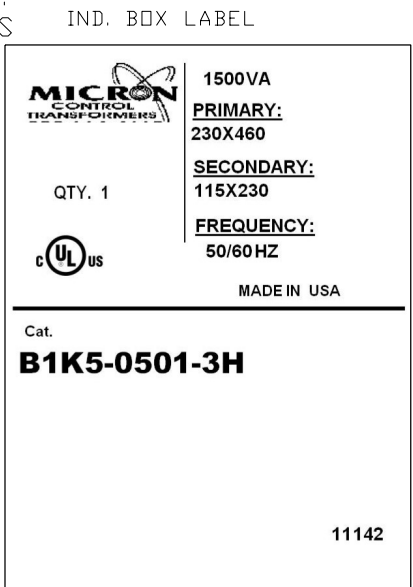
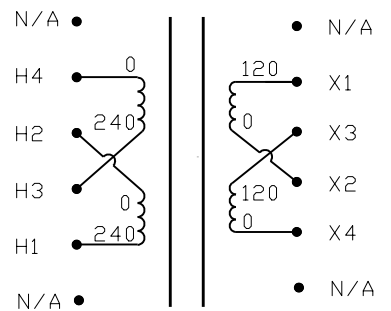


TERMINAL SCREWS ARE COMBINATION 10-32 PHIL-SLOT-1/4" HEX WITH SEMS WASHER



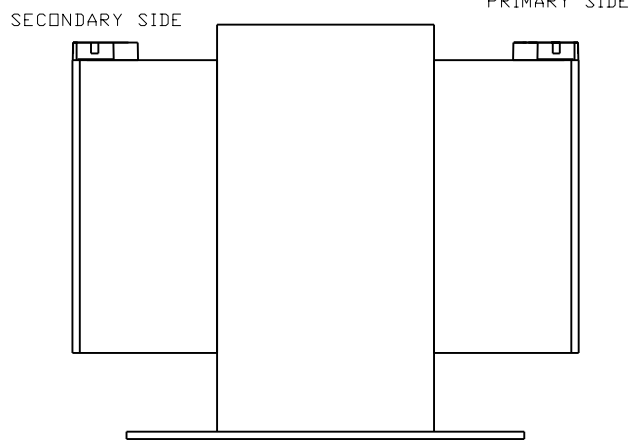
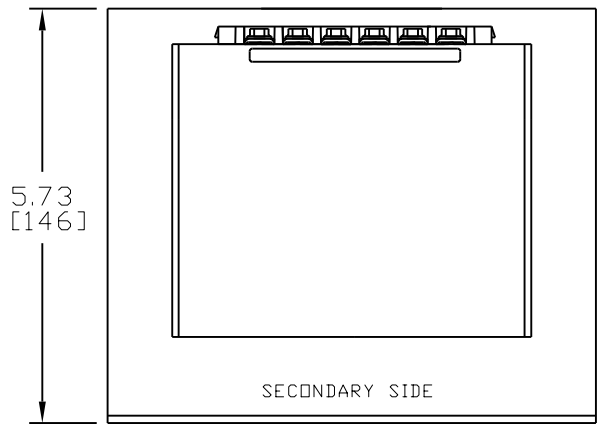
Transformer Specifications	
PRIMARY VOLTAGE(S)	230x460 (TRIPLE RATED)
SECONDARY VOLTAGE(S)	115x230
RATED V.A.	1500
RATED FREQUENCY	50/60
INSULATION CLASS	180
AGENCY APPROVALS	UL, CSA
ESTIMATED WEIGHT	37.0 LBS

FOR TEST REQUIREMENTS SEE 419-0087 COIL TEST PAGE

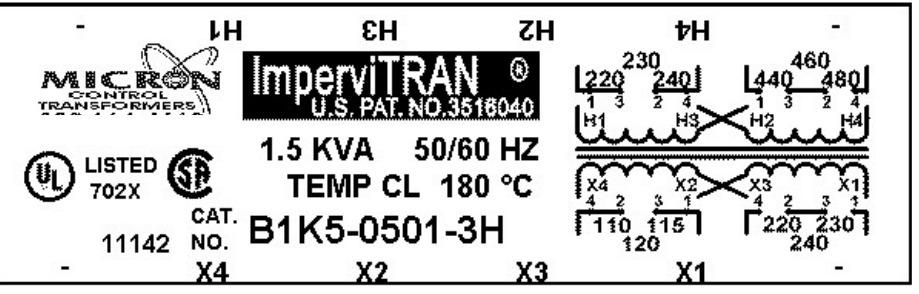


CONNECTION DIAGRAM

NOTES:
1. ALL MEASUREMENTS IN INCHES (MM)



PACKAGED ACCESSORIES	
1	2 PAIR OF JUMPERS
-	-
-	-



REV	DESCRIPTION	BY	DATE
A	FORMAT REVISED	AN003211	RN 09/17/08
ECL	REVISIONS		

MICRON CONTROL TRANSFORMER

DATE	8/4/08	DRAWN	J.G.V.	CHECKED		APPROVED	
RELEASE DATE		CUSTOMER PART NO.					
MICRON PART NO.	B1K5-0501-3HA9999A0						
	B1K5-0501-3HA7777B0						
SIZE	C	SCALE	NONE	B1K5-0501-3H			